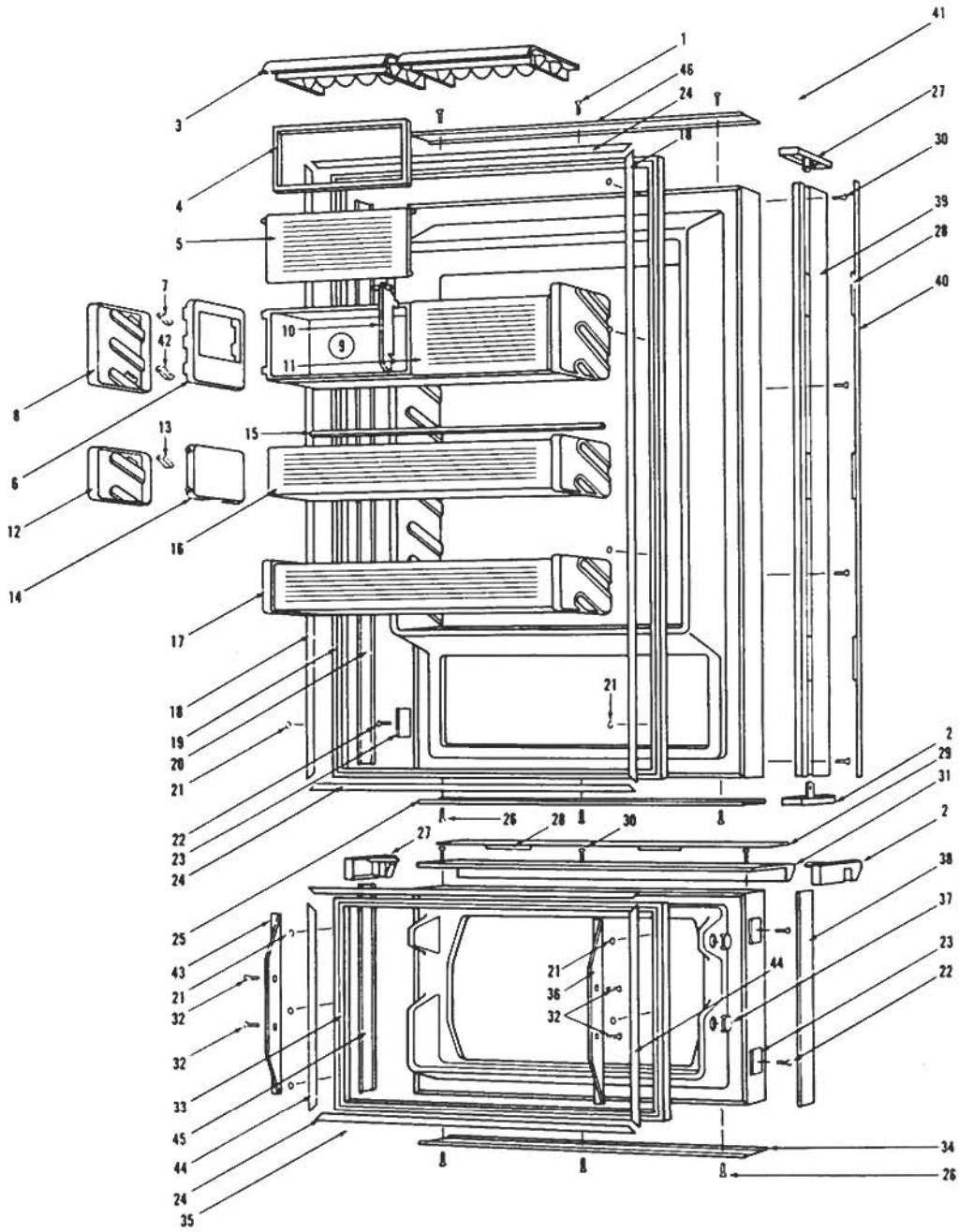


511 DOOR VIEW

Ref.	Part No.	Description	Ref.	Part No.	Description
1	6200720	Screw, #8-18 x 1/2 PH Truss HD	23	3450460	Door Trim Clip
2	4200490	Standard Handle End Cap Replacement Components	24	3420200	Gasket Retainer, 27.062"
	4200700	Extended Handle End Cap Replacement Components	25	2225508	Door Trim, Top LH/Bottom RH
3	3410920	Egg Tray		2225507	Door Trim, Top RH/Bottom LH
4	3210730	Dairy Door Seal	26	6200720	Screw, #8-18 x 1/2 PH Truss HD
5	3515620	Dairy Door	27	4200490	Standard Handle End Cap Replacement Components
6	3600891	Dairy Compartment Inner End Cap RS		4200700	Extended Handle End Cap Replacement Components
	3600892	Dairy Compartment Inner End Cap LS	28	3450450	Molding Magnet - 3"
7	3550440	Door Shelf Retainer	29	4131020	Freezer Handle Molding Assembly, Fre
8	3600851	Dairy Compartment Outer End Cap; RS	30	6200720	Screw, #8-18 x 1/2 PH Truss HD
	3600852	Dairy Compartment Outer End Cap; LS	31	4130960	Door Handle Assembly, Fre EH511
9	3600870	Dairy Compartment	32	6110450	Extended Full Length Handle Set
10	3421060	Dairy Compartment Center Divider	33	3211160	Bolt, 1/4-20 x 1/2" Whiz Lock
11	4330310	Dairy Compartment Assembly	34	3211160	Door Gasket, Freezer
12	3600751	Door Shelf Outer End Cap RS	35	2225509	Door Trim, Bottom
	3600752	Door Shelf Outer End Cap LS	36	4131260	Door Assembly, Fre
13	3550440	Door Shelf Retainer	37	0182652	Freezer Door Support Rail, LH
14	3600761	Door Shelf Inner End Cap RS	38	3550230	White Plastic Plug, 3/4"
	3600762	Door Shelf Inner End Cap LS	39	2225203	Door Trim, Side Fre
15	3510720	Door Shelf Support, Ref		4130930	Door Handle Assembly, Ref EH511
16	3600980	Refrigerator Door Shelf	40	4130990	Extended Full Length Handle Set
17	4330260	Door Shelf Assembly	41	4130990	Handle Molding Assembly, Ref
18	3420240	Gasket Retainer, Side Ref, 47.438"	42	4131271	Door Assembly, Ref; RH
19	3211150	Door Gasket, Refrig.		4131272	Door Assembly, Ref; LH
20	2225204	Door Trim, Side; Ref	43	3550490	Dairy Compartment Retainer
21	6200410	Screw, #8-15 x 3/8" Truss HD	44	0182651	Freezer Door Support Rail, RH
22	6180040	Pop Rivet, 3/16x1/8 Grip	45	3420150	Gasket Retainer, 17.312"
			46	2225202	Door Trim, Side; Fre RS
				2225507	Door Trim, Top RH/Bottom LH
				2225508	Door Trim, Top LH/Bottom RH

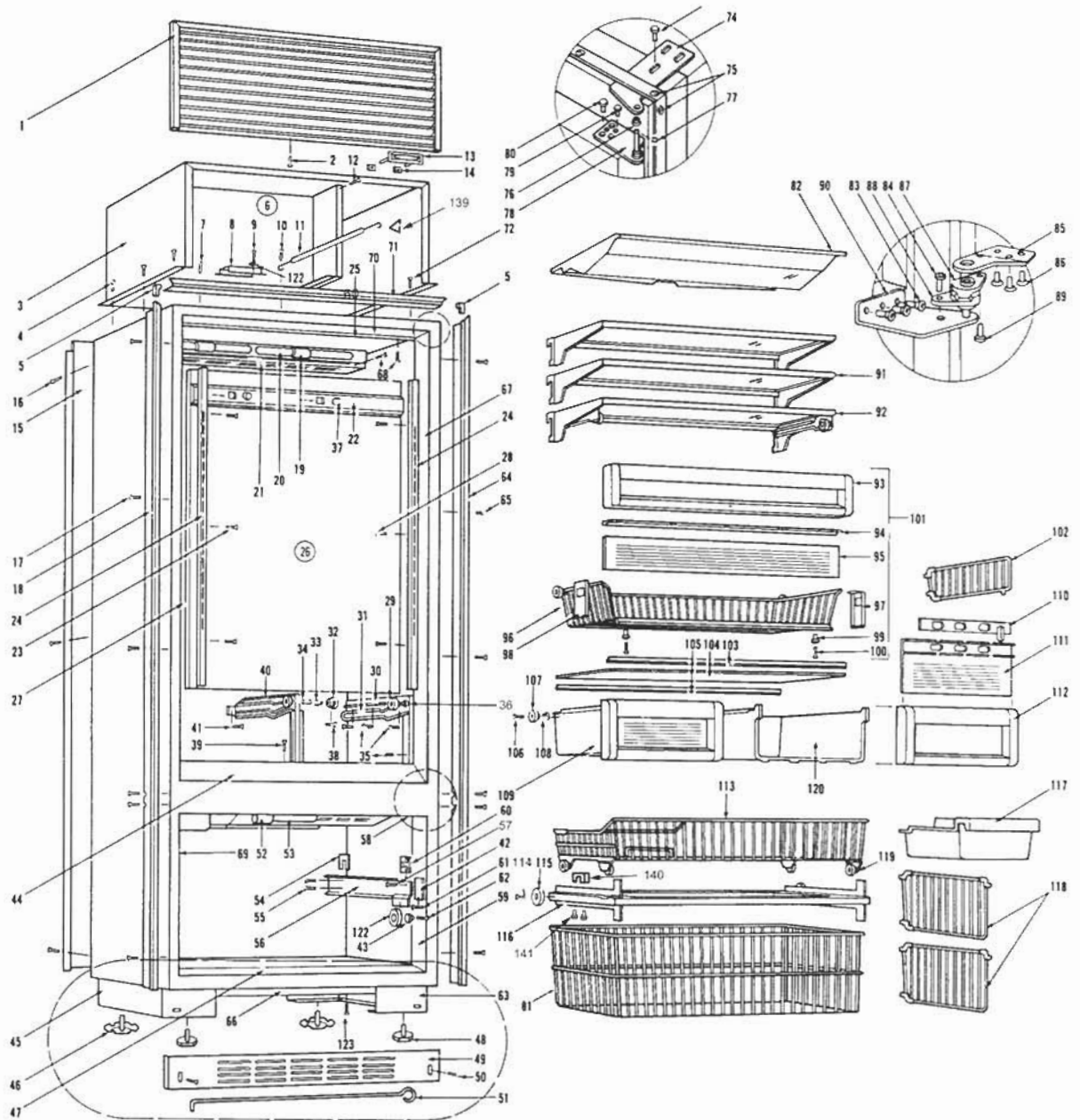
511 DOOR VIEW



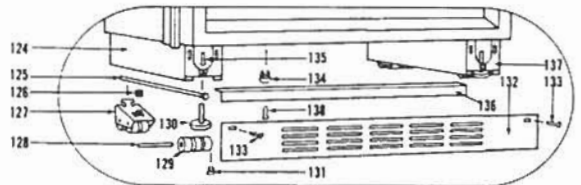
511 COSMETIC VIEW

Ref.	Part No.	Description	Ref.	Part No.	Description
1	LG3011	Louvered Grille, 30 x 11			cut to length
2	6200770	Screw, #6-32 x 3/4" Pan HD	71	2225621	Top Main Frame, RH Dr Swing
3	4280530	Unit Shroud Assembly		2225622	Top Main Frame, LH Dr Swing
4	6200230	Screw, #8-18 x 1/2" Hex Head	72	6200010	Screw, #10-12 x 3/4" Pan HD
5	2210701	Main Frame Angle	73	6110070	Bolt, 1/4-20 x 3/4" Spinlock Zinc
6	4280520	Compressor Shroud Assembly	74	0182560	Cabinet Hinge, Top
7	6200010	Screw, #10-12 x 3/4" Pan HD	75	6200070	Screw, #4-24 x 3/8" Flat HD
8	0165760	Switch Enclosure	76	3420070	Hinge Bearing
9	6200010	Screw, #10-12 x 3/4" Pan HD	77	3450270	E-Ring / Retaining Ring
10	6200020	Screw, #7-16 x 1/2" Pan HD	78	3540340	Door Hinge, Top RH
11	3450120	Grille Spring, 1/4" x 9-5/8"		3540350	Door Hinge, Top LH
12	6200020	Screw, #7-16 x 1/2" Pan HD	79	6200390	Screw, #6 x 3/8" T25 Flat Head PH
13	3580110	Name Plate	80	6110010	Bolt, #10-24 x 1/2" Flat Head UC
14	6150140	spring Grip Nut, 1/8"	81	3411190	Lower Freezer Basket
15	0164530	Back Cover and Shroud	82	4200810	Light Diffuser/Fan Shroud Replacement Components; Ref.
16	6200230	Screw, #8-18 x 1/2" Hex Head	83	6110010	Bolt, #10-24 x 1/2" Flat Head UC
17	6200210	Screw, #8-32 x 1/2" Flat Head	84	6110270	Bolt, #10-32 x 1/4" RD HD
18	2225609	Left Side Main Frame, RH Dr Swing	85	0182381	Door Hinge, Bottom; RH
	2225610	Left Side Main Frame, LH Dr Swing		0182382	Door Hinge, Bottom; LH
19	3050020	Light Socket, 3/4 Double	86	6110010	Bolt, #10-24 x 1/2" Flat Head UC
20	3030040	Light Bulb, Long/Narrow; 40 watt	87	3420690	Bottom Door Hinge Cam
21	4200810	Light Diffuser/Fan Shroud Replacement Components	88	3420681	Bottom Cabinet Hinge Cam, RH
22	3012620	Control Panel, Refrig. - NOTE: Also order three 6230530.		3420682	Bottom Cabinet Hinge Cam, LH
23	6200710	Screw, #8-18 x 3/8" Fillister HD	89	6110270	Bolt, #10-32 x 1/4" RD HD
24	3601101	Cabinet Shelf Ladder - Right	90	4151151	Cabinet Hinge, Bot; RH
	3601102	Cabinet Shelf Ladder - Left		4151152	Cabinet Hinge, Bot; LH
25	0211390	Refrigerator Light Diffuser Retainer	91	4180770	Glass Shelf Assembly
26	0200750	Refrigerator Cold Plate Cover / Evaporator Cover		NLA	Refrigerator Shelf Glass - See 4180770
27	1807300	Breaker Strip, 6' Length - NOTE: Must be cut to length	92	4180800	Shelf Assembly, Ref Roll-out Basket
28	6200710	Screw, #8-18 x 3/8" Fillister Head	93	3410900	Refrigerator Roll-Out Basket Front
29	3421110	Crisper Roller	94	3600930	Refrigerator Roll-Out Basket Glass Retainer
30	6200730	Screw, #10-16 x 3/4" PH Flat HD UC	95	3500290	Refrigerator Roll-Out Basket Glass
31	4180931	Crisper Slide Assy, Right Side	96	NLA	Refrigerator Roll-Out Basket - See 4180860
	4180932	Crisper Slide Assy, Left Side	97	3411001	Refrigerator Roll-Out Basket Retainer, RH
32	3421100	Crisper Roller; Narrow	98	3411002	Refrigerator Roll-Out Basket Retainer, LH
33	3430080	Roller Bushing	99	6220320	Screw Grommet
34	3550450	Hex Insert	100	6200700	Screw, #6-20 x 5/8" PH Flat HD SS
35	6200450	Screw, #8 x 1" Type AR Flat	101	4180860	Basket Assembly, Ref Roll-out
36	3430080	Roller Bushing	102	3411160	Ref Roll-Out Bskt Divider
37	3012560	Control Knob	103	2301701	Front Crisper Seal
38	6200740	Screw, #10-32 x 11/16" PH Flat HD UC	104	4151070	Crisper Glass Assembly
39	3550460	White Cap plug	105	1302000	Rear Crisper Seal
40	4180940	Crisper Slide Assy; Center	106	6200730	Screw, #10-16 x 3/4" PH Flat HD UC
41	6200140	Screw, #8-15 x 3/8" Truss HD	107	3421110	Crisper Roller
42	3420821	Cabinet Support Insulator, Right Side	108	3430080	Roller Bushing
	3420822	Cabinet Support Insulator, Left Side	109	4180900	Crisper Drawer Assembly
43	3430040	Spacer, .75 x .26 x .22	110	3411051	Vent Slide
44	2809502	Breaker Strip, Refrigerator Mullion	111	3411041	Crisper Glass Front
45	4110032	Left Base Assembly	112	3411031	Crisper Drawer Front
46	3570020	Rear Leveling Leg, #18-3/8 x 1-1/2"	113	4181030	Upper Freezer Basket Assembly
47	1807300	Breaker Strip, 6' Length - NOTE: Must be cut to length		NLA	Upper Freezer Basket - See 4181030
48	3570050	Leveling Leg, #18-3/8 x 1"	114	6110260	Bolt, 1/4-20 x 1/2" Flat HD
49	0165710	Kickplate	115	3420900	Roller Bearing
50	6200050	Screw, #10-12 x 1/2" Pan HD	116	4180820	Drawer Slide Assembly, Freezer
51	3570030	Leveling Rod, 26-3/4"	117	3411340	Ice Bucket
52	3050010	Light Socket, 3/4 Single	118	3411310	Lower Freezer Basket Divider
53	3030040	Light Bulb, Long/Narrow; 40 watt	119	NLA	Upper Freezer Basket Roller- See 4181030.
54	0232310	Drawer Slide Shim, Rear	120	3411021	Crisper Drawer
55	6110330	Screw, #10-32 x 1/4" Chrome Plate	121	6240020	Star Washer, 3/16"
56	4180681	Cabinet Slide Assy, Fre; Right	122	3420900	Roller Bearing
	4180682	Cabinet Slide Assy, Fre; Left	123	6200010	Screw, #10-12 x 3/4" Pan HD
57	6200590	Screw, #12 x 1" Type A Zinc Flat HD	124	4110333	Base Assembly (w/rollers) - Right or Left
58	2809702	Breaker Strip, Freezer Mullion	125	6110520	Adjusting Screw
59	2807340	Breaker Strip, Freezer; Right Side	126	6150670	J-Nut, #10-24
60	0232300	Drawer Slide Shim, Front	127	4110331	Base Rear Roller Assy
61	6200150	Screw, #10 x 3/4" Type 23 Round HD	128	3550560	Straight Pin, Base Assy - .312" x 2.88"
62	6110440	Bolt, 1/4-20 x 3/4" Flat HD	129	3421240	Cabinet Roller (3 per side)
63	4110031	Right Base Assembly	130	3570050	Leveling Leg, #18-3/8 x 1"
64	2225602	Right Side Main Frame, RH Dr Swing	131	3450620	Canoe Clip
	2225603	Right Side Main Frame, LH Dr Swing	132	0166130	Kickplate, Vented
65	6200210	Screw, #8-32 x 1/2" Flat Head		4200870	Kickplate, Solid
66	0165700	Kickplate Support	133	6200050	Screw, #10-12 x 1/2" Pan HD
67	2807339	Refrigerator Right Side Breaker Strip	134	6220050	Screw Grommet, 1/2" x 5/8"
68	6200140	Screw, #8-15 x 3/8 Truss Head	135	6200010	Screw, #10-12 x 3/4" Pan HD
69	1807300	Breaker Strip, 6' Length - NOTE: Must be cut to length	136	0166030	Kickplate Support
70	1807300	Breaker Strip, 6' Length - NOTE: Must be	137	4110333	Base Assembly (w/rollers) - Right or Left
			138	6200010	Screw, #10-12 x 3/4" Pan HD
			139	3450520	Grille Hook
			140	3420950	Upper Freezer Basket Restraint
			141	6200340	Screw, #6-20 x 1/2", Pan Head

511 COSMETIC VIEW



Use prior to
Serial No. M830453

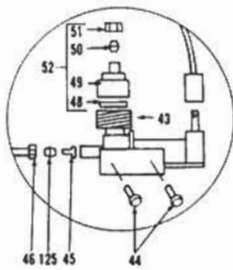
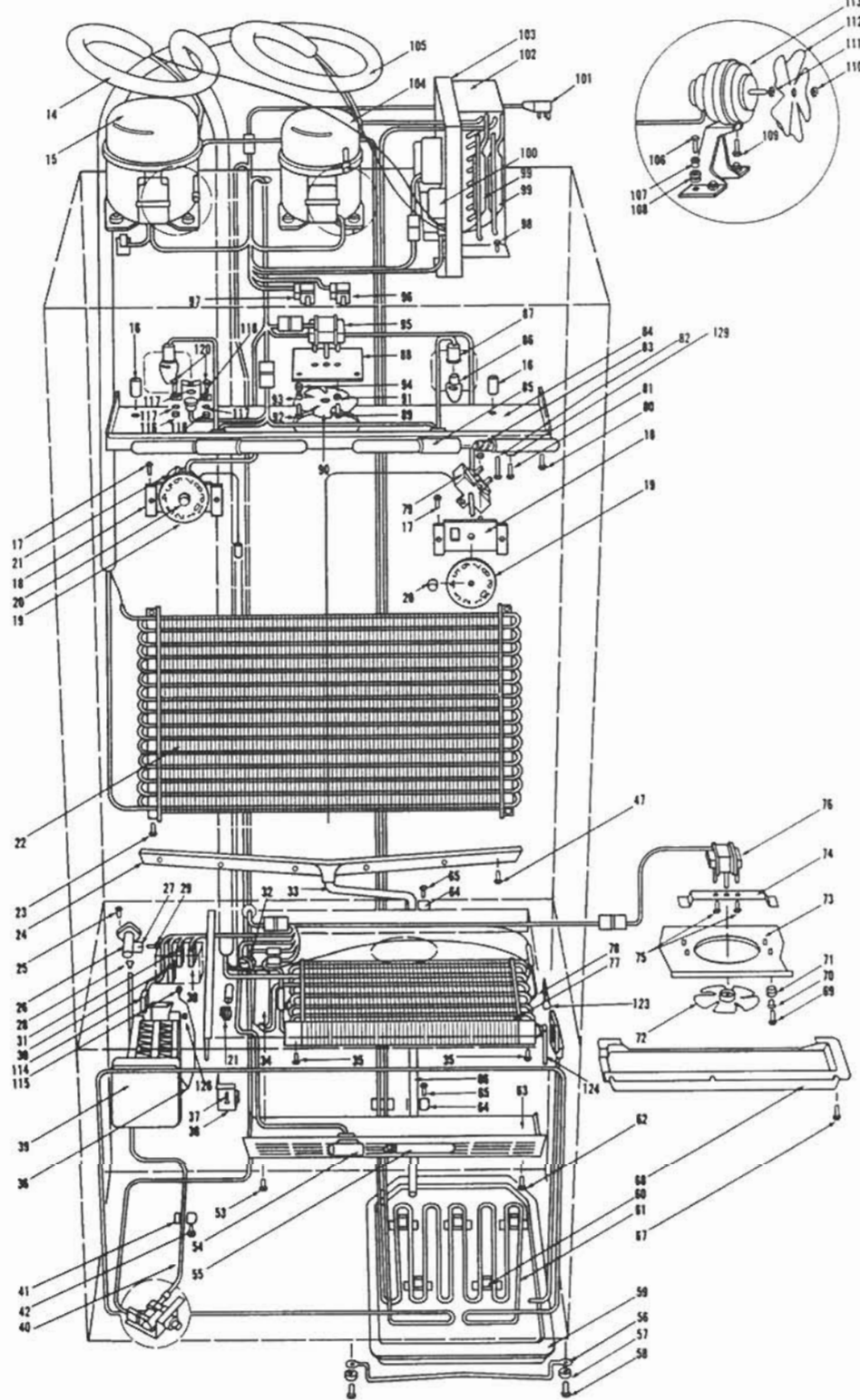
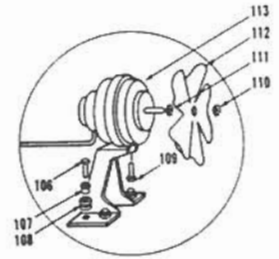
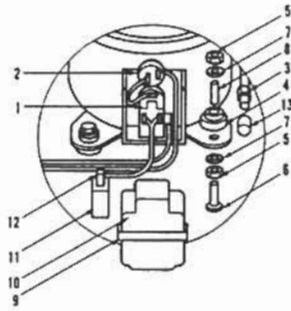


Use after
Serial No. M830454

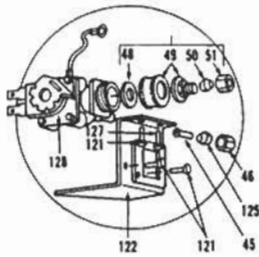
511 SEALED SYSTEM VIEW

Ref.	Part No.	Description	Ref.	Part No.	Description
1	****	Relay, Freezer	64	6120050	Tube Clamp, Plastic, 5/8"
	****	Relay, Refrigerator	65	6200230	Screw, #8-18 x 1/2" Hex Head
2	****	Overload, Freezer	66	1601400	Drain Tube, Wire - 1/2" x 72"
3	3090010	Compressor Base Valve	67	6200120	Screw, #10-12 x 1/2" Truss HD
4	3150010	Rubber Grommet, Small, 5/8"	68	4151190	Freezer Air Duct Assembly
	3150170	Rubber Grommet, Large, 15/16"	69	6200430	Screw, #8-18 x 1/2" PH Type-B Pan Head
5	6150220	Nut, 5/16-18 Hex Zinc	70	3520120	Brass Insert, Fan Bracket
6	6240050	Flat Washer, 5/16"	71	3220250	Grommet, 3/16" x 7/16" x 9/32"
7	6240050	Flat Washer, 5/16"	72	3150370	Fan Blade, Freezer Evap.
8	6160030	Spacer, 5/16 x 7/16 x 5/8"	73	0233210	Fan Shroud, Fre Evap
	6160070	Sleeve, 5/16 x 7/16 x 7/8"	74	0232280	Fan Bracket, Fre
9	****	Refrigerator Compressor Cap Strap	75	6110270	Bolt, #10-32 x 1/4" RD HD
	****	Freezer Compressor Cap Strap	76	4200160	Freezer Fan Motor Replacement Components
10	****	Refrigerator Compressor Cap	77	3130320	Evaporator Coil, Freezer
	****	Freezer Compressor Cap	78	4322580	Defrost Heater Assembly
11	****	Run Capacitor	79	3012800	Control, Refrig
12	4324110	Run Capacitor Wire Harness	80	6200140	Screw, #8-15 x 3/8" Truss HD
13	NLA	Valve Cap - See 3090010; 3090100; 3090210; 3090220.	81	6200130	Screw, #8-18 x 3/4" Truss HD
14	4251040	Heat Exchanger, Freezer	82	6200090	Screw, #8-15 x 1-3/4" Truss HD
15	4201400	Service Freezer Compressor	83	3030040	Light Bulb, Long/Narrow; 40 Watt
16	6220340	Screw Grommet / Stand-off	84	4160610	Fan Shroud Assembly, Ref
17	6180010	Pop Rivet, 1/8"	85	3050020	Light Socket, 3/4 Double
18	4151040	Control Bracket Assy	86	3030070	Light Bulb, 7W
19	3012810	Control Indicator	87	3050070	Light Socket
20	3012560	Control Knob	88	0211620	Refrigerator Fan Bracket
21	3012541	Control, Fre	89	6110270	Bolt, #10-32 x 1/4" RD HD
22	3130260	Evaporator, Refrig.	90	3150210	Fan Blade, Ref Evap
23	6200140	Screw, #8-15 x 3/8" Truss HD	91	6200120	Screw, #10-12 x 1/2" Truss HD
24	4190200	Drain Trough Assembly	92	6200130	Screw, #8-18 x 3/4" Truss HD
25	6200230	Screw, #8-18 x 1/2" Hex Head	93	3520120	Brass Insert, Fan Bracket
26	1600800	Water Inlet Tube, 6"	94	3220250	Grommet, 3/16" x 7/16" x 9/32"
	4202170	Fill Tube Heater Assy.	95	4200170	Refrigerator Fan Motor Replacement Components
27	6120120	Tube Clamp, 3/8" Stl w/nut	96	3060130	SPST Fan/Icemaker Switch
28	3520050	Brass Insert, Solenoid	97	3060140	SPST Light Switch
29	6200330	Screw, #8-18 x 3/8" Pan Head	98	6200010	Screw, #10-12 x 3/4" Pan HD
30	3060130	SPST Fan/Icemaker Switch	99	3014230	Filter-Drier, High Side
31	3060140	SPST Light Switch	100	3081180	Service Defrost Timer, 6Hr / 21Min
32	3082060	Defrost Terminator	101	4321820	Power Cord
33	1601400	Drain Tube, Wire - 1/2" x 72"	102	3120240	Dual Condenser
34	3011130	Freezer Accumulator	103	4280500	Condenser Fan Shroud Assembly
35	6200120	Screw, #10-12 x 1/2" Truss HD		0166980	Shroud Support Bracket
36	4202730	Ice Level Arm Package	104	4201670	Service Refrigerator Compressor
37	6200140	Screw, #8-15 x 3/8" Truss HD	105	4251050	Heat Exchanger, Refrigerator
38	0233160	Control Housing, Fre	106	6200280	Screw, #8-18 x 1" Pan Head
39	628366	Module & Motor Assembly	107	3520120	Brass Insert, Fan Bracket
	4200520	Complete Modular Icemaker Assembly	108	3220160	Grommet, 3/16" x 7/16" x 9/32"
40	2600617	Plastic Water	109	6200490	Screw, #8-32 x 3/8" Slotted Hex T25
41	6120030	Tube Clamp, Plastic 1/4"	110	6150410	Nut, 1/4-20
42	6200010	Screw, #10-12 x 3/4" Pan HD	111	3210340	Neoprene Silencer, 7/8"
43	4201440	Water Solenoid Valve	112	3150320	Fan Blade, Cond, 5 prop, 7"
44	6200060	Screw, #8-32 x 1/2" Pan HD	113	4200740	Condenser Fan Motor Replacement Components
45	3520050	Brass Insert, Solenoid			
46	3520030	Icemaker Nylon Nut, 1/4"	114	4322710	Freezer Wiring Harness
47	6200140	Screw, #8-15 x 3/8" Truss HD	115	3220170	Snap Bushing
48	3210030	Solenoid Gasket	116	6150160	Nut, #8-32 Hex
49	NLA	Water Valve Fitting - See 3520110	117	6240020	Star Washer, 3/16"
0	NLA	Ball Sleeve - See 3520110	118	4200850	Light Terminator
51	NLA	Compression Nut - See 3520110	120	6110050	Bolt, #8-32 x 3/8" Truss HD
52	3520110	Water Inlet Fitting Assembly	121	6200010	Screw, #10-12 x 3/4" Pan HD
53	6200120	Screw, #10-12 x 1/2" Truss HD	122	0166190	Solenoid Bracket
54	3050010	Light Socket, 3/4 Single	123	2606601	Aluminum Sleeve
55	3030040	Light Bulb, Long/Narrow; 40 Watt	124	6120340	Aluminum Strap
56	3420760	Drain Pan Holder	125	NLA	Solenoid Hose Fitting - See 3520110
57	3420670	Screw Spacer	126	6220190	Support, .275 x .750"
58	6200440	Screw, #10-16 x 11/16" Type B Flat Head	127	6200060	Screw, #8-32 x 1/2" Pan HD
59	0164940	Drain Pan, Plastic	128	4201440	Water Solenoid Valve
60	6220210	Stand-off Heater Clip	129	6220330	Plastic Support
61	2604101	Condensate Heater Loop	130	3081120	Fan Control Relay
62	6200120	Screw, #10-12 x 1/2" Truss HD	131	0166200	Solenoid Retainer
63	0233180	Evaporator Cover, Fre			

511 SEALED SYSTEM VIEW



Use prior to
Serial No. M830453



Use after
Serial No. M830454